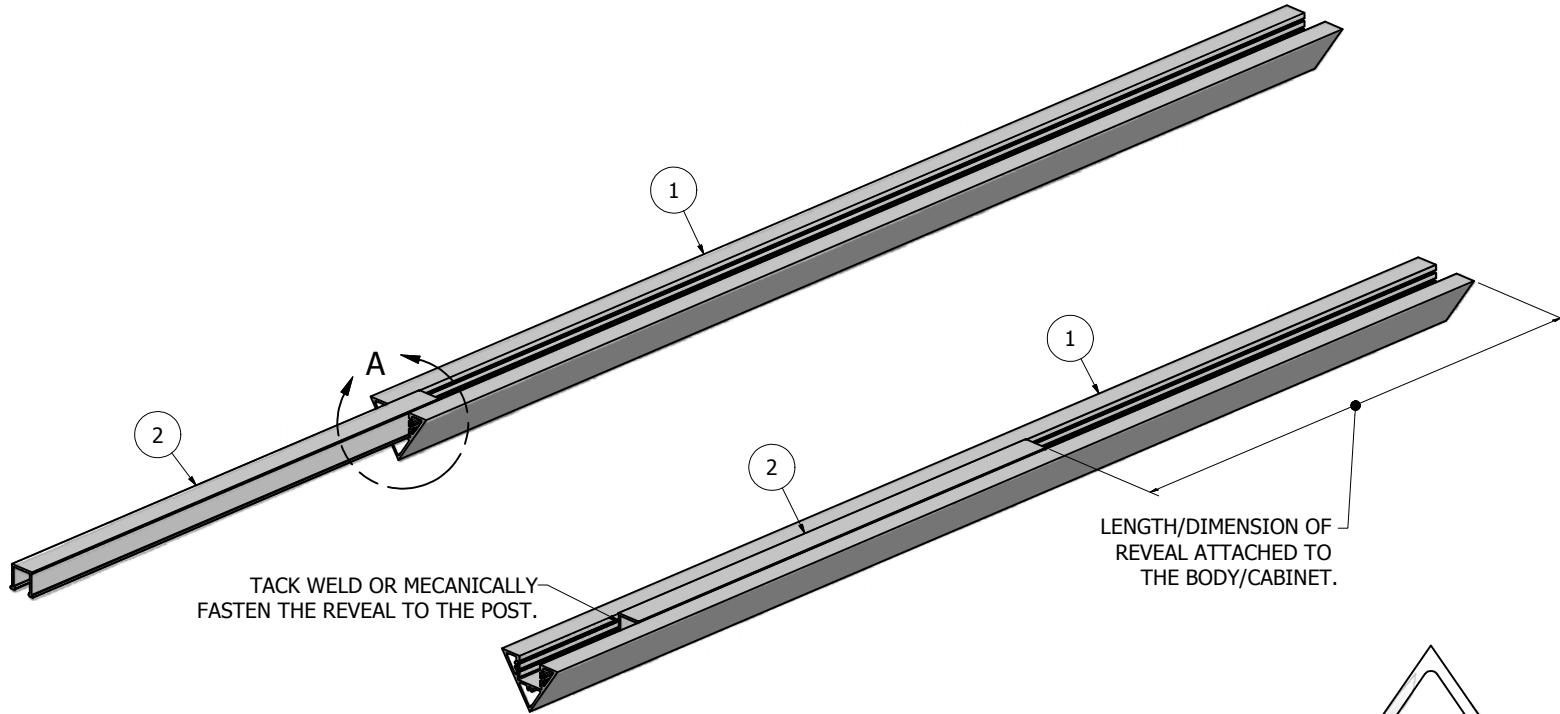
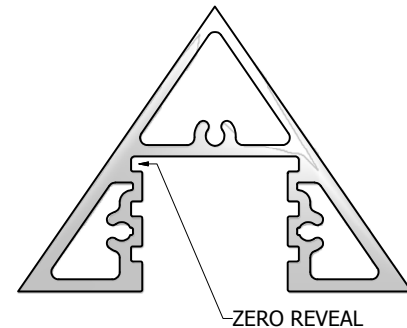


Parts List			
ITEM	PART #	DESCRIPTION	NOTES
1	1240	Series 3, 3-1/4" Triangular Post	
2	1200	Series 2/3 Reveal	Tack weld or mechanically fasten to post



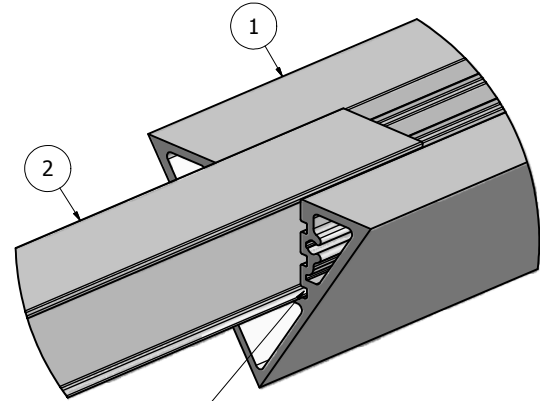
TACK WELD OR MECANICALLY FASTEN THE REVEAL TO THE POST.

LENGTH/DIMENSION OF REVEAL ATTACHED TO THE BODY/CABINET.



ZERO REVEAL

NOTE: PRE-CUT KITS ARE NOT PRE-DRILLED.
 (Holes shown in this drawing are for reference only.
 Drilling of pilot holes are to be done by fabricator.)



DETAIL A

INSERT THE REVEAL/FILLER INTO THE ZERO REVEAL POSTION. SLIDED IT UP INTO THE POST.

Ship To:

Order Number:

THIS DRAWING WAS CREATED AT NO CHARGE TO ASSIST YOU IN VISUALIZING OUR PROPOSAL. THE DRAWING HEREIN IS THE PROPERTY OF SIGNCOMP. PERMISSION TO COPY OR REVISE THIS DRAWING OR TO USE THIS DRAWING FOR PRODUCTION IS STRICTLY PROHIBITED AND CAN ONLY BE COPIED, REVISED OR USED FOR PRODUCTION WITH THE EXPRESSED WRITTEN PERMISSION OF SIGNCOMP.			
DRAWN	4/20/2010	<div style="text-align: center;">SignComp</div>	
CHECKED			
QA			
MFG			
APPROVED			
TITLE		Series 3, 3-1/4" Triangular Post - Series 2/3 Reveal - Assembly	
SIZE	C	DWG NO	1240-00
SCALE			REV
			SHEET 1 OF 1